

## KLOK-02

### BASIC FUNCTIONING

---

Jumping hours, retrograde minutes and seconds, perpetual date, time zone (GMT).

The procedure must be performed in its entirety in order to validate the settings. If you make a mistake, you can't go back to the settings, you must end the process to restart it from the beginning. If you change the battery, please check the index settings.

We invite you to consult the following [tutorial](#) in order to set time on your watch.

### MODE DISPLAY

---

10h20'45"

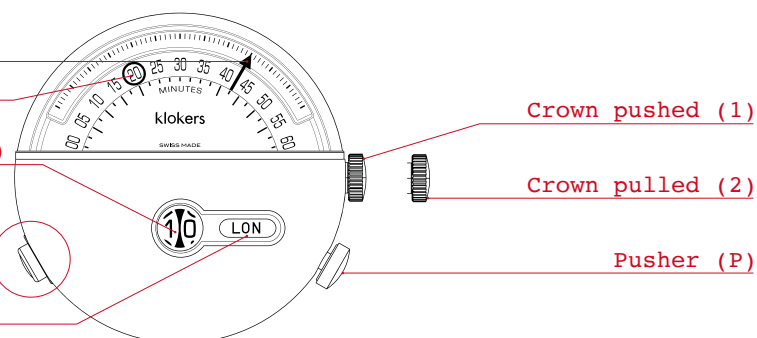
Seconds (S)

Minutes (M)

Hours (H) &  
Perpetual calendar (Pc)

Red button (R)

Time zone (Tz)



### SETTINGS

1. Pulsing the pusher (P), choose a **time zone** (Tz).
2. To validate, pull the crown to position (2) and push it into position (1).
3. Pulsing the pusher (P), set the **hour** (H).
4. To validate, pull the crown to position (2) and push it into position (1).
5. Pulsing the pusher (P), set the **minute** (M).
6. To validate, pull the crown to position (2) and push it into position (1).
7. Pulsing the pusher (P), set the **year** (Pd).
8. To validate, pull the crown to position (2) and push it into position (1).
9. Pulsing the pusher (P), set the **month** (Pd).
10. To validate, pull the crown to position (2) and push it into position (1).
11. Pulsing the pusher (P), set the **date** (Pd).
12. To validate, pull the crown to position (2) and push it into position (1).
13. **Time is displayed.**

### NOTA

If you change the battery, please check the index settings.

---

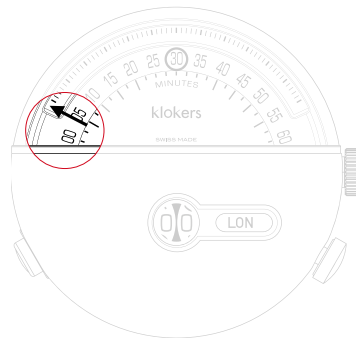
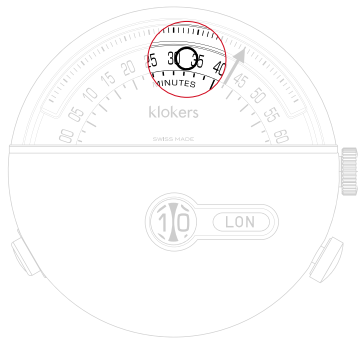
# klokers<sup>®</sup>

## User manual

### INDEX SETTINGS

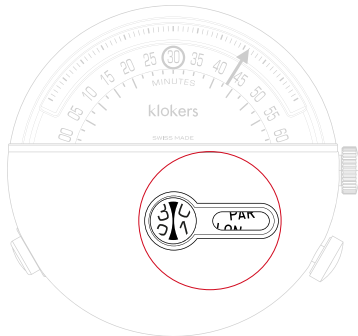
When must you carry out the index setting procedure?

1. After replacing the battery
2. When the minutes are not centered within the top part of the dial
3. When the hours and/or the time zone are not aligned and readable in the window
4. When the seconds hand does not start from 05 (First line of the white zone)



3. When the hours and/or the time zone are not aligned and readable in the window

We invite you to consult the following [tutorial](#) showing the index setting procedure.



### NOTA

The hands may have indexation issues in case of shock, sharp deceleration, faulty contact, battery replacement, etc.  
This particular feature of our watch ensures the security of the movement and long-term functioning.

# klokers<sup>®</sup>

## User manual

10h20'45"

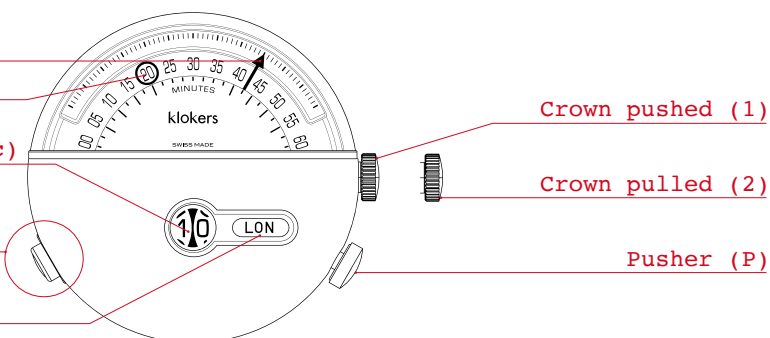
Seconds (S)

Minutes (M)

Hours (H) &  
Perpetual calendar (Pc)

Red button (R)

Time zone (Tz)



Crown pushed (1)

Crown pulled (2)

Pusher (P)

### INDEX SETTINGS

1. Press the crown (1) for five seconds:  
minutes and seconds go back to the banking position 0.
2. Select the timezone London (LON) with the pusher (P).
3. To validate, pull the crown to position (2) and push it into position (1).
4. Pulse the pusher (P) to adjust the disc of tens of the hours to 0.
5. To validate, pull the crown to position (2) and push it into position (1).
6. Pulse the pusher (P) to adjust the disc of units of the hours to 0.
7. To validate, pull the crown to position (2) and push it into position (1).
8. **The watch is set for the programmed time.**

### FUNCTIONS

- Change the time zone (Tz) by pressing briefly on the pusher (P).  
The time is automatically set.
- Display the date (Pc) by pressing on the pusher (P) for three seconds.  
The time reappears after fifteen seconds.
- Turning the crown does not activate any function.

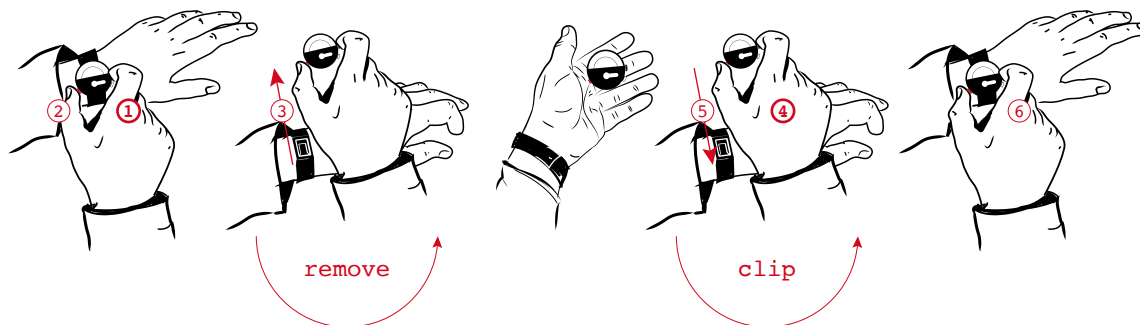
### END OF BATTERY LIFE INDICATOR

When the battery shows signs of weakness, the hand of seconds jumps every five seconds. It continues in this way until the battery is completely empty.

# klokers<sup>®</sup>

User manual

## CLIP/REMOVE THE WATCH HEAD FROM THE BRACELET



### REMOVE THE CASE FROM THE BRACELET

1. Hold firmly the watch head in your hand.
2. Push the red button at 8 o'clock to unlock the mechanism (R).
3. Holding the button, slide the watch head up to unlock it from the bracelet (or any other accessory).

### CLIP THE CASE TO THE BRACELET

4. Hold firmly the watch head in your hand.
5. Slide the watch head from top to bottom on the Key of the bracelet (or any other klokers accessory).
6. Push the watch-head until a click is felt. Only this click will guarantee that the watch-head is correctly clipped on the bracelet.

**ALL THE KLOKERS PRODUCTS ARE INTERCHANGEABLE WITH EACH OTHER!**

**⚠ Warning: handle the watch head with care and be sure you hold it firmly while unlocking it from its support to not drop it. klokers is not responsible in case of a fall during this manipulation.**







# klokers<sup>®</sup>

## User manual

### CHARACTERISTICS

#### THE CASING

- The klokers Key: push button at eight o'clock to unlock the watch head from its base
- Material: metal-polymer composite casing and grained effect imitation leather covering. High scratch resistance and smooth touch. Metal ring, pushbutton and crown
- Dimensions: 43.2 mm wide x 13.2 mm deep
- Water Resistant (splashproof)

					
Rain splash	Hand washing	Shower	Bath	Swimming	Diving
●	●	●	●	●	●
YES	YES	NO	NO	NO	NO

- Glass: domed high transparency
- polymer polymethyl methacrylate

#### MOVEMENT

- Swiss Made
- SOPROD Mechatronic
- Five micro-motors
- TI Microcontroller

#### BATTERY

- 3V battery, standard 2025

#### AUTONOMY

- About 20 months

#### GUARANTEE

- Two-year warranty against all production defects (See the guarantee given at time of purchase)

### USAGE PRECAUTION

Your watch comes with its blue static protections. Remove them before considering any use of the watch (glass, watch case-back, the klokers' key, etc...), otherwise the closing system (watch-case and bracelet) may be damaged.

Be sure to constantly protect the push button from any impact or pressure that could unlock the watch-head.

When manipulating your watch and removing it from the klokers' accessories, be sure to firmly hold the watch-head.

**Please be sure to handle your klokers with care, taking care not to drop, knock or crash the watch head.** The movement could be irreversibly damaged.

# klokers<sup>®</sup>

## User manual

### WARNING

---

Each watch having an impact or trace of shock on the glass or on the middle of watch-case will not be covered by the guarantee.

**Do not try to dismantle or modify the watch.**

**Do not remove the battery from the watch:** battery replacement requires special knowledge and professional expertise.

Please contact a person working in the shop where your purchased your watch.



**Keep your KLOK-02 away from any electro magnetic sources**



**Please do not use your KLOK-02 when playing sports (golf, tennis..) or during any other activities that may create vibrations, shocks, brutal accelerations and decelerations**



**Keep out of reach of babies and children.**



**Do not put your klokers under clear water.** The pressure of normal tap water may decrease waterproofness performance of a watch conceived for the everyday life



Remove the watch before taking a bath or going into the sauna. Do not turn or pull the crown when the watch head is wet, the water could penetrate the watch. If the inner surface of the glass is fogged, or if water drops appear inside the watch, this means waterproofness has been diminished. Immediately contact the retailer where you have purchased the watch.

Keep in mind waterproofness of a watch can be diminished by the deterioration of the adhesive of the glass or the seal, or by rust formation on stainless steel parts. Steam, soap, or some components of a heat source can accelerate waterproofness degradation.



**Avoid wearing the watch or store it in the following places:** places in which volatile agents are sprayed (cosmetic products such as solvents, insecticides, paint solvents, etc.), places in which temperature remains below +5 °C or above 35 °C for a long time; very damp places; places affected by a powerful magnetic field or static electricity; dusty places; places affected by strong vibrations.

**Do not put in contact with acid, acetone or any other chemical product. In case of contact, immediately rinse with cold water to minimise the impact.**

**Stop wearing the watch immediately if the case or the bracelet is affected by corrosion.**

**If you notice any symptoms of allergy or skin irritation, stop wearing the watch immediately and consult a dermatologist or an allergist.**